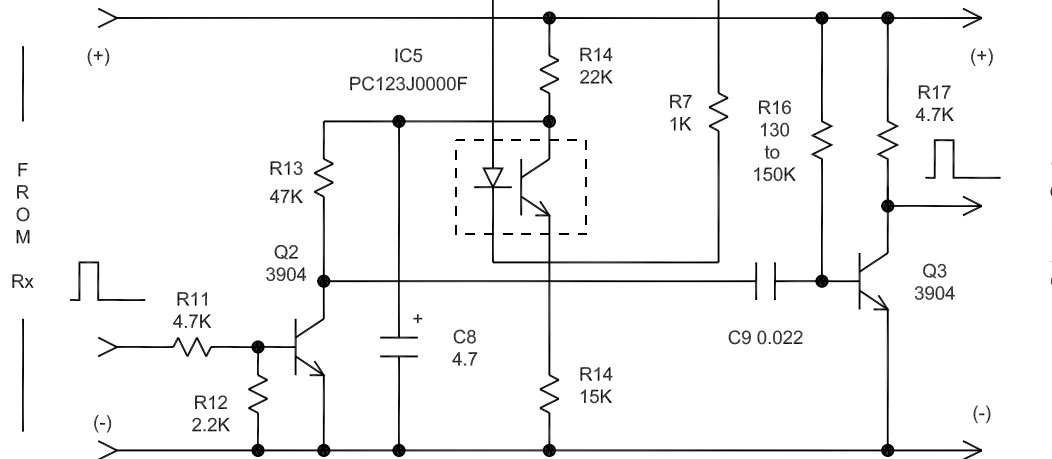


Optional bal. resistor Rnull



BDM 9 Rnull = 3.3M, IC2 pin 5 to -5V

BDM 9 rate trim for ~5.5 Hz  
set @ 1 amp for ~ 1.65 AH  
associated shunt - blue cover



BDM\_9\_Sch1  
late 06/10